

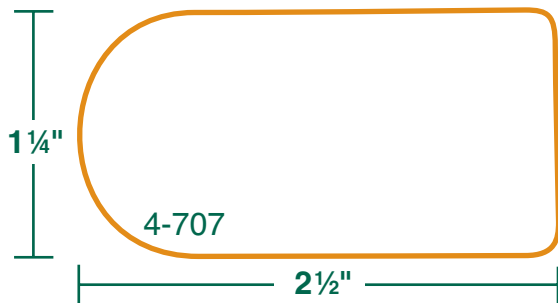
4-702  $4\frac{1}{2}$ " X  $1\frac{1}{16}$ "

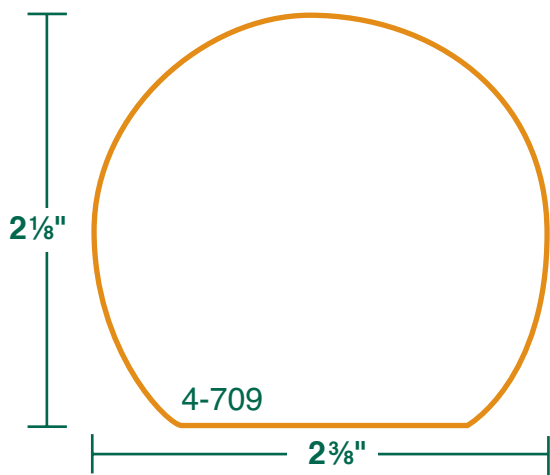
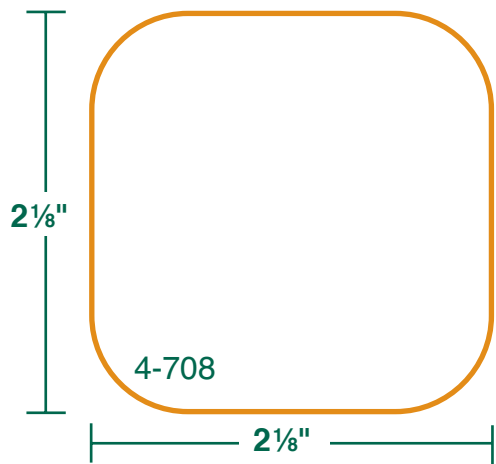
4-703  $5\frac{1}{2}$ " X  $1\frac{1}{16}$ "

4-704  $5\frac{1}{2}$ " X  $1\frac{1}{4}$ "

4-705  $3\frac{1}{2}$ " X  $1\frac{5}{8}$ "

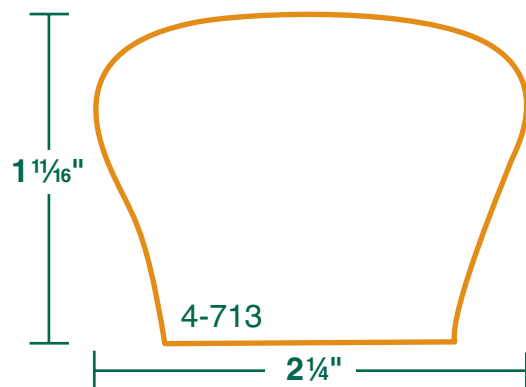
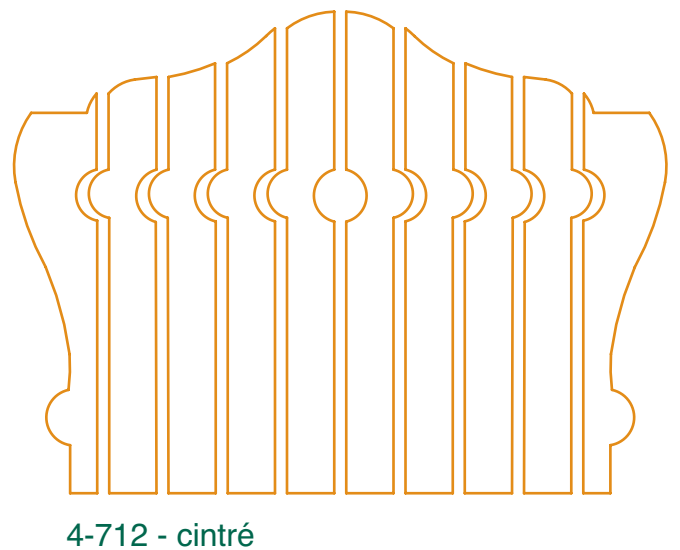
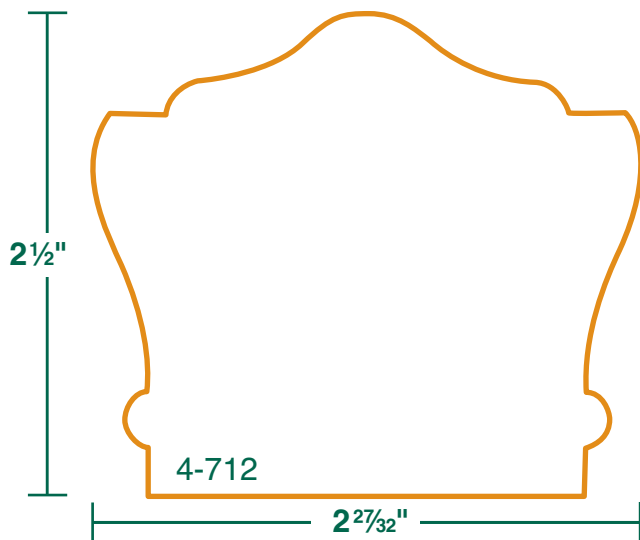
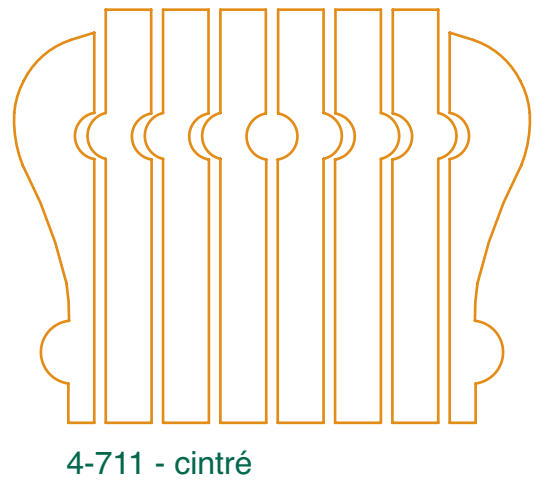
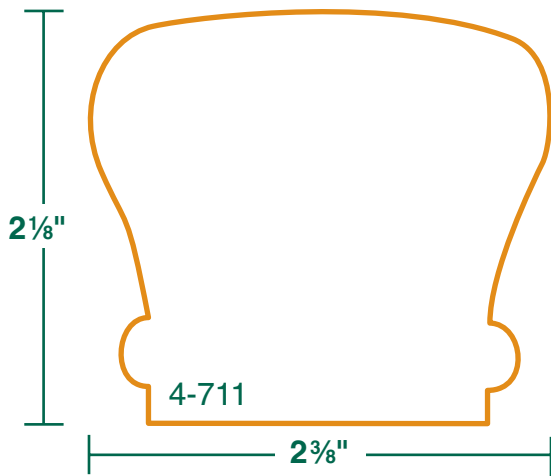
4-706  $5\frac{1}{2}$ " X  $1\frac{5}{8}$ "

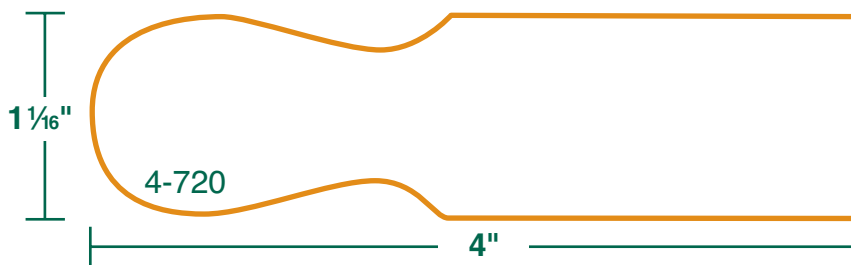
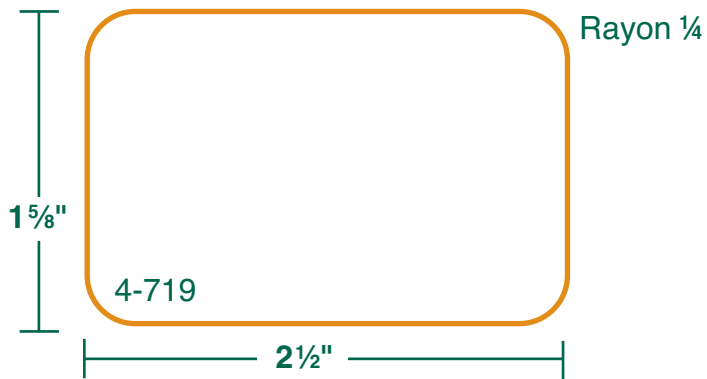
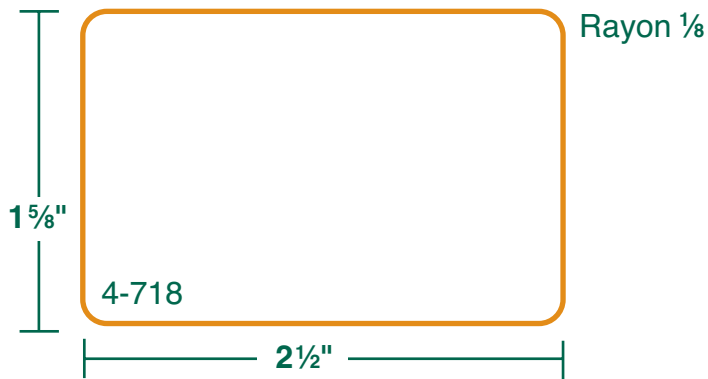
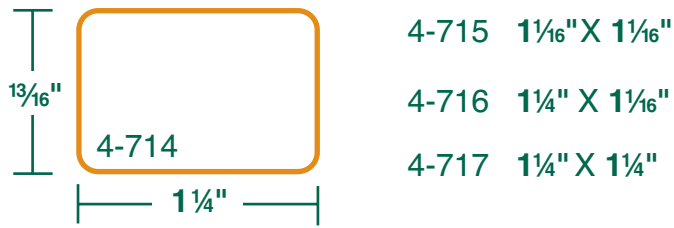


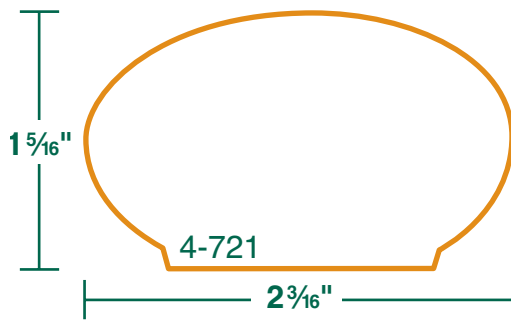


4-710  $2\frac{1}{2}" \times 2\frac{1}{4}"$









4-722 Faux limon

7½" X ¾"

9½" X ¾"

11½" X ¾"

4-723 Limon

7½" X 1⅝"

9½" X 1⅝"

11½" X 1⅝"

4-724 Poteaux

2¾" X 2¾"

3" X 3"

3½" X 3½"

4" X 4"

Longueur désirée

